



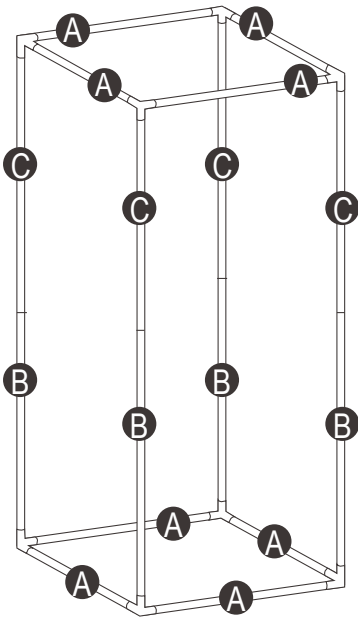
# TROJAN TENTS



Like us on Facebook TROJAN TENTS  
Follow us on Twitter @trojantents  
[www.trojantents.com](http://www.trojantents.com)

# TROJAN TENTS

## Assembly Instructions



### Step 1.

Construct the metal tent frame following the diagram overleaf for your specific model.

To avoid damaging the outer shell ensure all poles are fully inserted into the corners.

It is recommended that the support bars (E & F) are fitted after the tent is fully assembled to avoid damaging the cloth during set up.

### Step 2.

Please make sure that the main zip (with trojan logo) is fully undone. N.B If not fully unzipped this could damage the cloth.



### Step 3.

Place the frame into the base section of the tent. Check the frame is correctly positioned.



### Step 5.

Fully zip up the tent, ensuring that the inner material flaps interlock. This increases the light tightness and allows free flow zip.



### Step 4.

Place the roof of the tent over the top of the frame. It should be a tight fit, but not require force. Check zips and corners if unsure.



### Step 6.

Fit the Mylar base liner, support bars (E & F) and attach filter hanging straps (if required).

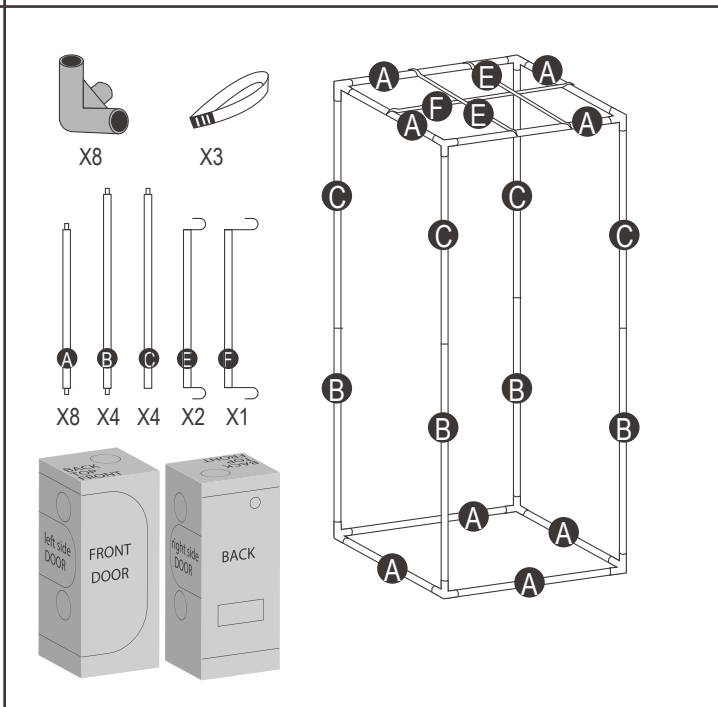
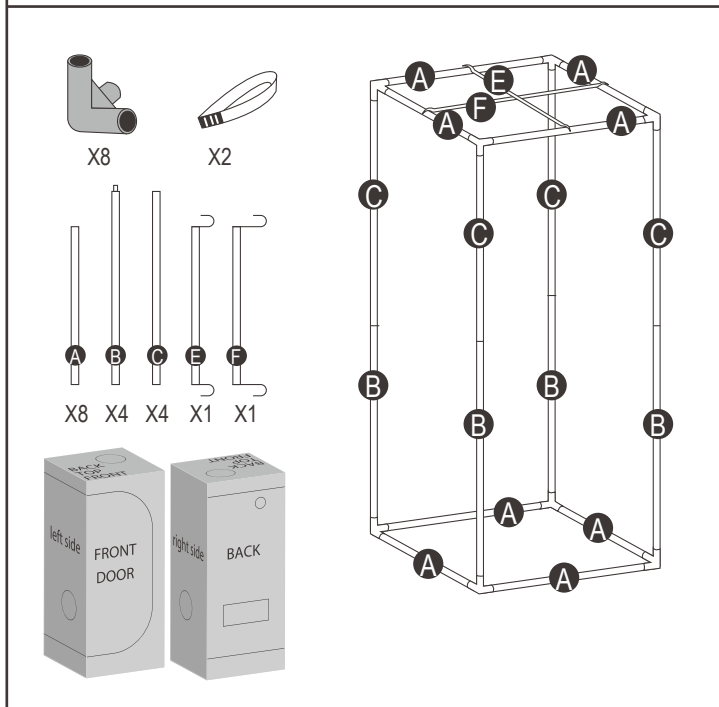
# INSTRUCTIONS FOR ALL MODELS

Trojan Silver - TS06, TS08, TS10, TS12, TS15

Trojan Gold - TG10, TG12, TG15

## Trojan Silver

## Trojan Gold

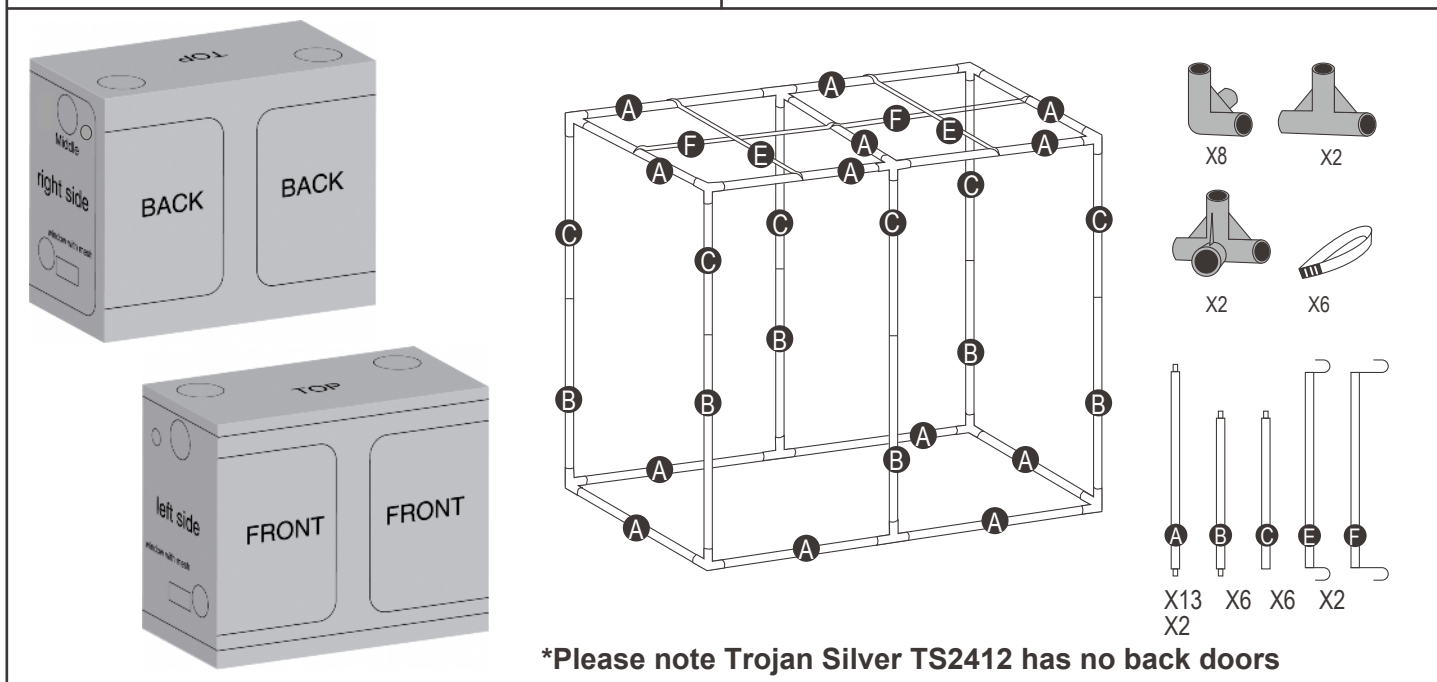


Trojan Silver - TS2412

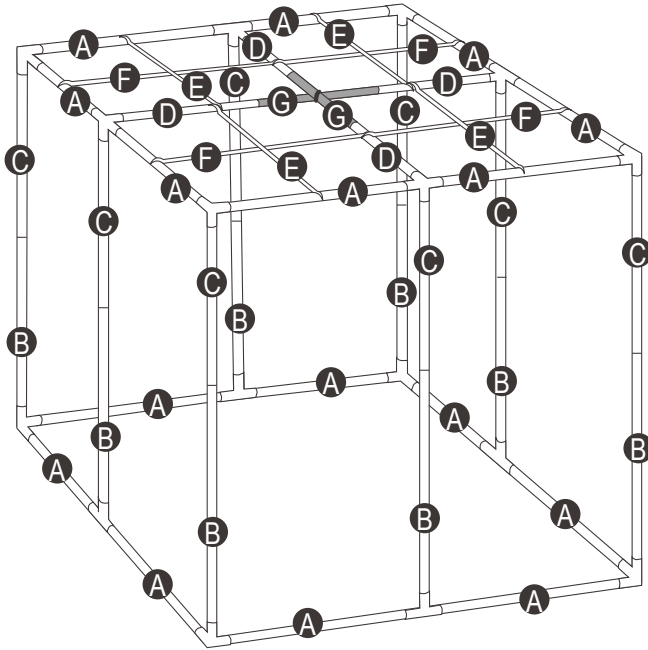
Trojan Gold - TG2412, TG3015

## Trojan Silver\*

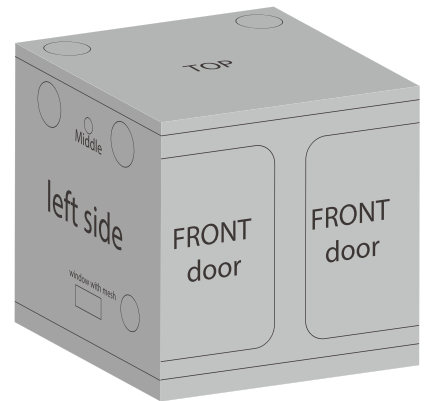
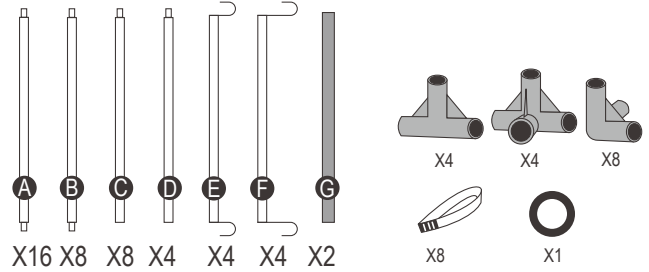
## Trojan Gold



# Trojan Gold



Steel Tube Frame with steel corner



# Trojan Gold

